



Current Transformer

Model IEB5Z
rev 071316

CERTIFICATIONS:



APPLICATION:

Metering

FREQUENCY:

50/60 Hz.

INSULATION LEVEL:

720 Volts. 10 kV BIL. full wave

APPROXIMATE WEIGHT:

0.70 kg

CONNECTIONS:

Secondary terminals screw clamp up to 10mm² cable. 'Fast on' 6.3mm type. Integral Terminal Cover IP20B

ENCLOSURE CODE:

IP40

INSULATION CLASS:

Class E BS2757 IEC85

COMPLIES WITH / APPROVALS:

IEC60044-1:2003 / BSEN61010-1, EN60044-1

MOUNTING HARDWARE OPTION:

Order p/n: IEB5Z-FIXING-KIT



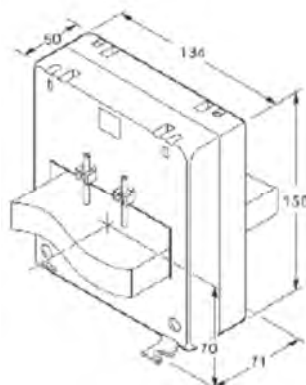
Model	IEB5Z
Window Size	104 x 35mm 35mm diameter
Width	134mm
Height	156mm
Depth	50mm

MODEL IEB5Z

CATALOG NUMBER	CURRENT RATIO	VA at Class 3	VA at Class 1	VA at Class 0.5
IEB5Z-750/5	750:5	15	7.5	2.5
IEB5Z-800/5	800:5	20	10	2.5
IEB5Z-1000/5	1000:5	22.5	15	2.5
IEB5Z-1200/5	1200:5	30	20	10
IEB5Z-1250/5	1250:5	30	20	15
IEB5Z-1500/5	1500:5	30	20	15
IEB5Z-1600/5	1600:5	30	20	15
IEB5Z-2000/5	2000:5	30	20	15
IEB5Z-2400/5	2400:5	30	20	15
IEB5Z-2500/5	2500:5	30	20	15
IEB5Z-3000/5	3000:5	30	20	15
IEB5Z-4000/5	4000:5	30	20	15

Note: Change the end suffix to depict required secondary. For example IEB5Z-800/1.

DIMENSIONS



Products are manufactured in a plant whose quality management system has been certified to be in compliance with ISO 9001:2015 by NQA